

EngineMonitorMaxi

Configurable Monitor for industrial engines with J1939 interface

EngineMonitorMaxi

Highlights

The EngineMonitorMaxi is a fully configurable colour engine display and controller designed to meet the demands of modern electronic engines and equipment applications.

It supports J1939 electronic engines, including Tier 4F and stage V engine parameters and supports TSC 1 messaging allowing speed control messages to be sent over CAN.

The engine display is an extremely powerful and versatile product suited to a wide number of different application environments.

The EngineMonitorMaxi is fully configurable using the PC Configuration Suite Software, which allows users to create custom configurations and user interface screens.

Users can also add company branding to the display's start-up screen and select from a light and dark background when the module is in use.



Illustration 1: Four-quadrant layout

Key features

- Free configurable pages and signals: engine speed, oil pressure, coolant temperature, fuel level etc.
- Adjustable display icons for each signal
- TSC1 speed control via push buttons or onboard inputs
- 4 configurable multi-functional inputs (digital, current, voltage, resistance)
- 3 outputs for external relays, LEDs and audible buzzer
- DTCs for the display of DM1 and DM2 diagnostic trouble codes

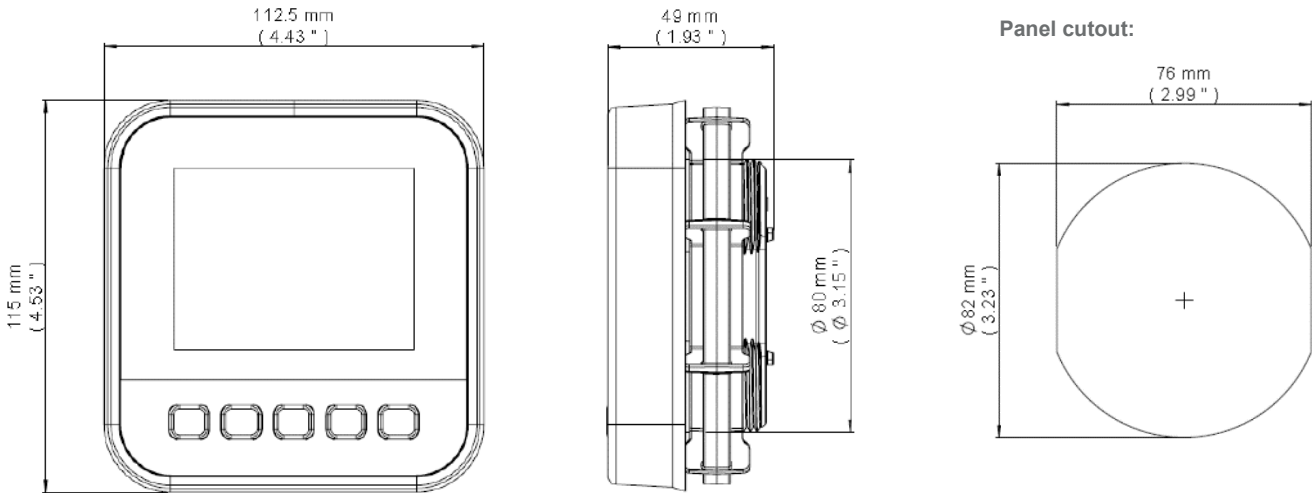


Illustration 2: Instrument layout

EngineMonitorMaxi

Configurable Monitor for industrial engines with J1939 interface

Dimensions



Technical data

Protocol	SAE J1939 – ISO 11898 – HighSpeed-CAN / 5V Base / 250 kBaud
Dimensions (WxHxD)	112,5mm x 115mm x 49mm
Protection class	IP67/NEMA6
Display	3,5", 320x240 pixel, optically bonded TFT display
Operating temperature	-40 to 85°C
Operating voltage	8-35V DC, (5V up to 1min)
Qualification	CE
Inputs	4 configurable as <ul style="list-style-type: none"> - Digital (high-, low-switching) - Current (0mA to 20mA) - Voltage (0V to 10V) - Resistance (0-3kOhm)
Outputs	3 outputs each up to 1A (high-, low-switching) VREF OUT 100mA at 10V / 5V

Order information

Order-no.	Name	Description
B12900-EMA-001-E050	EngineMonitorMaxi	EngineMonitorMaxi Tier4final / StageV
4001954	Pin connector	DEUTSCH DT16-A, 18pin
4001951	RAM Mount	RAM-Mount + Adapter Cover