



BRICK STORAGE, BRICK STORAGEplus & BRICK2 STORAGE

Quick Start Guide

V 0.1

b-plus technologies GmbH
www.b-plus.com

Valid for

Part-Number	Name	Description
B17575-BSC-xxx-xxxT	BRICK STORAGE BRICK STORAGE <i>plus</i>	Removable mass storage device for high bandwidth recording
B17049-B2S-1xx-xxxT	BRICK2 STORAGE	Removable mass storage device for high bandwidth recording

Note

Copyright © 2022 b-plus technologies GmbH

The information and data contained in this quick start guide are subject to change without prior notice. Errors and misprints reserved.

This document has been created with due care. b-plus technologies GmbH is not liable for damages resulting directly or indirectly from errors, omissions or discrepancies between the product and the document.



Bitte beachten Sie, dass die folgenden Informationen in englischer Sprache verfasst wurden. Sofern Sie deutsche Unterstützung benötigen, wenden Sie sich bitte an support@b-plus.com.

General Conditions

These general conditions apply between you ("customer") and b-plus technologies GmbH, Ulrichsberger Straße 17, 94469 Deggendorf ("b-plus"). Deviating general terms and conditions of the customer are rejected.

- 1 The delivery items shall only be used for research purposes or prototypical applications, at customer's own risk and for customer's own evaluation and development purposes ("authorized use"). The delivery items are not suitable for serial use and may only be used in suitable test environments and by qualified personnel. Neither a certain quality for the purpose of serial use has been agreed upon, nor is a defect-free suitability for such purposes assumed. Any necessary approval or conformity assessments shall be carried out by the customer. The delivery items may only be used in such a way that a danger to body and considerable financial loss is excluded.
- 2 The customer is specifically advised to his special testing obligation, as b-plus cannot test the interaction of the delivery item with the components specifically used by the customer. In this context, the client must carefully and appropriately test the interaction, in particular prior to use in areas which represent a danger to life, limb or property or which can lead to considerable financial losses.

Support

Product Documentation www.b-plus.com

Download <https://www.b-plus.com/en/support/download-portal>

Download Information

Login: brick

Password: brick_8769

Support E-Mail support@b-plus.com
Phone +49 991 270302-888

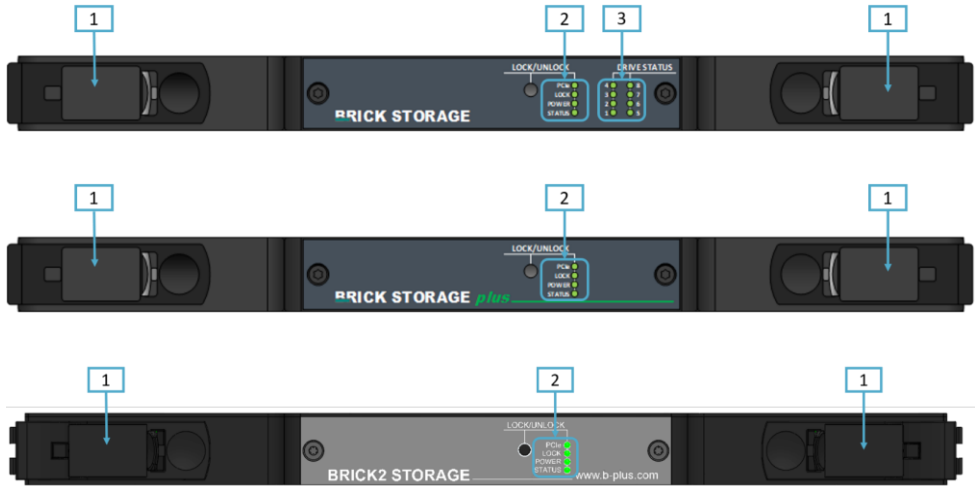
Contact [b-plus technologies GmbH](#)
Ulrichsberger Str. 17
D-94469 Deggendorf
Phone +49 991 270302-0
E-Mail services@b-plus.com

Safety



Read the safety instructions and warning messages before you use the device. For safe and proper operation, obey the instructions in this document which you can find in the shipping unit.

Front View

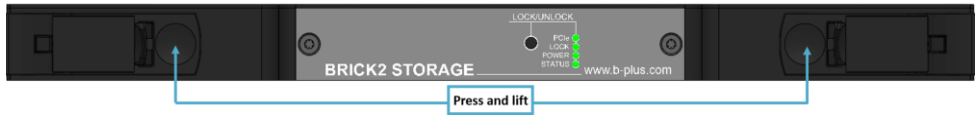


Pos.	Designation	Designation
1	Fastener / Lock lever	Fastener to lock and unlock cartridge
2	LED PCIe	Indicates PCIe connection established and active
	LED LOCK	Indicates cartridge locked correctly
	LED POWER	Indicates cartridge power OK
	LED STATUS	Green indicates status (temperature) OK. Red indicates status NOT OK (temperature too low or high).
3*	LED 1-8 Drive Status	Red indicates drive failure green indicates drive activity

***Note: LED1-8**

Note that BRICK2 STORAGE und BRICK STORAGEplus do not have LED 1-8.

Lock and Unlock BRICK(2) STORAGE(*plus*)*



*BRICK(2) STORAGE(*plus*)

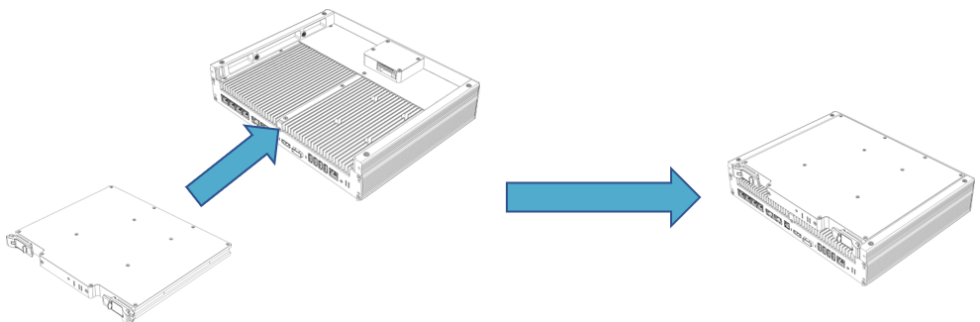
In this document “BRICK(2) STORAGE(*plus*)” combines the products BRICK STORAGE, BRICK STORAGEplus & BRICK2 STORAGE.

Lock/Unlock and Insert of the BRICK(2) STORAGE(*plus*)

The LOCK/UNLOCK button has no function. The BRICK(2) STORAGE(*plus*) is not hot plug capable.

Insert or removal of the BRICK(2) STORAGE(*plus*) during operation can cause data loss.

- ▶ Make sure your system is shut down before you insert or remove the BRICK(2) STORAGE(*plus*) cartridge.
- ▶ Insert the BRICK(2) STORAGE(*plus*) cartridge into the STORAGE BAY from the front side.



Information

You can connect the BRICK2 STORAGE to

- BRICK2 Systems
- DATAlynx ATX4
- COPYlynx G7 K4, K5

You can connect the BRICK STORAGE(*plus*) to

- BRICK(*plus*)
- COPYlynx G7 K0, K1, K2, K3
- BRICK Thunderdock

You must use an adapter to connect the BRICK STORAGE(*plus*)

- BRICK2
- DATAlynx ATX4
- COPYlynx G7 K4, K5
- ▶ See the related data sheets and manuals for adapter accessories.
- ▶ Contact support@b-plus for more information.

Scope of Delivery

- Ordered BRICK(2) STORAGE(*plus*)
- Quick Start Guide
- BRICK STORAGE Protection Cover
- KC Mark Certificate for certified storages only

Specifications and Approvals

- » See the manuals or related data sheets for more information
- BRICK STORAGE EVO
- BRICK STORAGE Cartridge
- BRICK STORAGE *plus*
- BRICK STORAGE *plus* EVO
- BRICK STORAGE *plus* EXT

- BRICK2 STORAGE
- BRICK2 STORAGE EVO
- BRICK2 STORAGE EXT
- BRICK2 STORAGE NVMe

Safety Instructions and Warning Messages

Warning!

- ▶ For safe and proper operation, follow the instructions in the manual and in the Quick Start Guide before you use the device. You can find the Quick Start Guide in the shipping unit.

You can find detailed information about the product in the manual “BRICK” or “BRICK2”.

Use of BRICK(2) STORAGE(*plus*) (hereafter called "product") can cause damage to property and/or bodily injury.

- ▶ Read the product documentation and the terms that follow carefully.
- ▶ For positioning and installation or removal of the device, observe the relevant instructions in this user manual.

Installation

Warning!

Unless specified otherwise (e.g., by a specified IP class in the data sheet), the product is not protected against the penetration of liquids and foreign objects.

- ▶ Therefore, the product must be protected from ingress of liquids, foreign objects and dust. If this is ignored, there is a risk of electric shock to the user or damage to the product which can in turn lead to personal injury
- ▶ Choose a suitable operation location to protect the product against the ingress of liquids, foreign objects or dust. If you do not take the necessary precautions, the user may suffer electric shock or the product itself may be damaged which can also lead to personal injury.

Warning! Positioning and Installation of the Device

- ▶ To position, install, or remove the device, observe the relevant instructions in this user manual, observe the relevant instructions in this user manual.
- ▶ Only maintenance personnel, which is responsible in this area and familiar with the associated risks, must position and install the device.

Hot Surface

In order to avoid injuries and damage caused by direct or indirect contact with hot surfaces, the following instructions must be observed:

- ▶ The device must be positioned and installed in a maintenance area or in an operating facility of limited access.
- ▶ The users who have permission to enter the maintenance area or the operating facility must have received adequate instructions about the risks.
- ▶ For positioning and installation or removal of the device, observe the relevant instructions given in this document.
- ▶ The unit must not be operated with defective safety equipment or with incorrectly mounted or inoperable safety/protection devices.
- ▶ The device can not be operated with the upper side downwards.
- ▶ Avoid mechanical stresses when the device is installed.
- ▶ When connecting of connectors and cables with locking possibility (for example, by screwing, push/pull locking system, etc.), ensure a secure and tight fit of the lock in order to prevent spontaneous loosening.

ESD! General Grounding Practices

- ▶ Follow these steps to avoid electrostatic damage to the device:
- ▶ Lay out antistatic mats at the work place. Wear a grounding strap which is connected to the work place and the working tools.
- ▶ Use antistatic foot mats, foot grounding equipment or air ionizers to provide additional safety.
- ▶ Only touch sensitive components, plug-in cards, and units on the housing or at the outer edges of the plug-in cards.
- ▶ Avoid contact with pins, wires, and conductor tracks.

- ▶ Make sure that you switch off all voltage and signal sources before you establish or disconnect electric connections or connect testing devices.
- ▶ Avoid non-conductive materials such as usual mounting accessories made of plastics or polystyrene at the work place.
- ▶ Use conductive tools (e.g., ESD screwdrivers) when you work on electrostatically sensitive units and components.
- ▶ Always put plug-in cards and drives on the antistatic mat with the component side downwards.

Initial Operation

Before you start

The unit has undergone a comprehensive final check to guarantee that it has left the facility in a perfect condition.

- ▶ Prior to initial operation, examine the product for damage caused by transport or inappropriate storage.
- ▶ Do not take the product into service if there is any damage to the product.
- ▶ Check the suitability of the unit for the specific application. Take special note of the admissible environmental and operating conditions specified in the chapter „Specifications and Approvals“.

Operation

Warning

Specifications

- ▶ Only use the product within the specified temperature and humidity ranges. The environmental specifications which are listed in the product documentation or in the data sheet must be observed.
- ▶ Unless expressly permitted, never remove the cover or a part of the housing while the product is in operation. Doing so will expose circuits and components and can lead to injuries, fire or damage to the product.
- ▶ Exposure to extreme environmental conditions (such as heat or cold) over a long period can affect the reliability of the product. Even when used as intended within the permissible limits, the service life may be shortened in permanent use in the border region due to the rapid deterioration of the assembly.

Proper Use and Intended Purpose

- ▶ Only operate this product
 - according to the instructions and descriptions of this manual
 - with the electrical power supply which is designed for the hardware.
 - with accessories which b-plus manufactured or approved.
 - in areas with access only for skilled personnel.

The product is only designed for use by skilled personnel as its operation can result in serious personal injuries and damage to property.

Therefore, only those persons are allowed operate the hardware who

- understand the possible effects of the actions which the product can cause
 - are specifically trained in the handling with the hardware, the bus systems and the system intended to be influenced.
 - have sufficient experience in the safe use of the product.
- ▶ Take appropriate actions and measures to determine the suitability of the products for any intended purpose beyond the use for which the products have been released (e.g., different stresses/strains or technical conditions) on your own responsibility.

Warning of Hot Surface

The device can get very hot during operation. There is danger of burning.

- ▶ Do not touch the device without appropriate precautions.

ESD

- ▶ Observe the safety instructions regarding electrostatically sensitive devices (ESD). Failure to observe this warning can cause damage to the device or components of the device.

Update Interruption

Make sure that the update process is not interrupted, e.g., by power loss, because this would make the device inoperable.

Maintenance

Warning

If the information on maintenance, service and upgrades is not or insufficiently taken into account, this may cause electric shock, fire and/or serious personal injury, possibly resulting in death.

- ▶ Any removal of identification numbers, repair work by yourself or modification of the unit is forbidden.
- ▶ Do not open the product, if you have not been instructed to do so by b-plus personnel or by appropriate instructions in the documentation for that product.
- ▶ Before removing the device cover, make sure that your system is switched off and disconnected from the voltage supply.
- ▶ Do not try to service the product by yourself if you have not been instructed to do so by b-plus personnel or present appropriate instructions in the product documentation. Please only contact b-plus or an authorized service provider of b-plus who is permitted to repair the particular product you use.

Transport and Storage

Transport

- ▶ Fasten the product safely on suitable transport or lifting means for transportation.
- ▶ Observe the safety regulations of the manufacturer of transport or lifting means to avoid personal injury and damage to the product.

Noncompliance can result in personal injury or material damage.

Storage

- ▶ Store the product only within the original recyclable packaging of the manufacturer.
- ▶ The product must be stored within the specified temperature and humidity ranges. To turn on the product on in an environment with a higher temperature immediately after storage in a low-temperature environment can lead to unrecoverable damage of the product.
- ▶ Therefore, store the product in the new environment for at least 2 hours before switching on.

Disposal

Waste Regulation for Electrical & Electronic Equipment

- ▶ Refer to the European WEEE directive to dispose electrical and electronic equipment. Do not dispose electrical and electronic equipment with consumer waste. Its components must be recycled or disposed apart from each other. Otherwise, contaminative and hazardous substances can pollute our environment.
- ▶ You as a user are committed by law to dispose electrical and electronic devices to the producer, the dealer, or public collecting points at the end of the device lifetime for free.

Particulars are regulated in national right. b-plus technologies GmbH is registered with the ear (German foundation).