

CANPowerSupply

Product overview

CANPowerSupply is a CAN connection cable with integrated termination, which was designed for mobile use.

The robust M12 female connector is available in tilted and straight versions.

The PUR CAN/DeviceNET™ - cable is made of an oil-resistant material and the wires are twisted.

Additionally to that the color coding is realized according to the standard coding in mobile constructions.

Protection Class	IP67
Connector	M12, A-coding Tilted / Straight
Cable	5 m or 10 m (different lengths on request) PUR-cabel, black 2x0.25mm ² + 2x0.34mm ²
Operating Temp.	-30 to 90°C

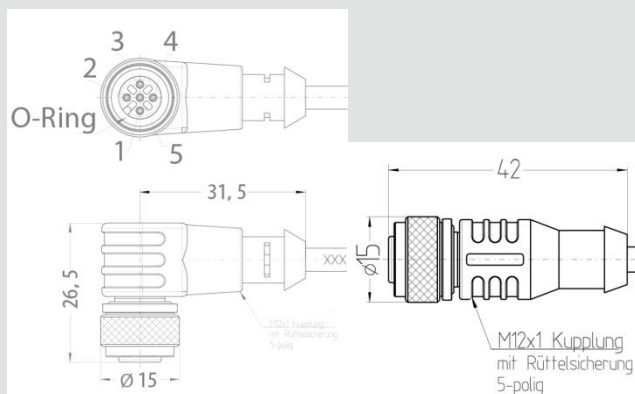


Illustration 1: Version with tilted female connector



Illustration 2: Version with tilted female connector

Dimensional drawing, connection pin assignment



1)	Beilauf	Schirm
2)	Rot	Versorgung
3)	Schwarz	GND
4)	Weiß	CAN_H
Abschlusswiderstand 120 Ohm zwischen 4) und 5)		
5)	Blau	CAN_L

Ordering information

Name	Order-no.	Description
CANPowerSupply	B12090-CPS-YYY-XXXX	M12 Cable socket straight 5m 4pole CAN-Cord with 120 Ohm Resistor
B12090-CPS-YYY(Connector)-XXXX(Length) e.g. B12090-CPS-001-1000 (10m with straight female connector)		YYY = Female Connector (001 straight, 002 tilted) XXXX = Cable length in cm (0500,1000,1500 available as standard)

Alle Daten bei 25°C Umgebungstemperatur, falls nicht anders angegeben. / All data at nominal input and 25° C ambient temperature, if not marked otherwise. • Alle Daten dienen nur Informationszwecken und sind nicht als zugesicherte Eigenschaften aufzufassen. / All data for information purposes only, no assured characteristics. • Technische Änderungen ohne vorherige Ankündigung sowie Irrtümer vorbehalten. / Technical modifications without notice and errors reserved. • Belastung mit Extremwerten über einen längeren Zeitraum kann die Zuverlässigkeit beeinflussen. / Strain with extreme values for a longer period may affect the reliability. • Alle Trademarks und Logos sind Eigentum der jeweiligen Unternehmen. / All trademarks and logos are property of the concerning companies. © b-plus GmbH • Jul-14 • V1.9

CANPowerSupply

M12 CAN connection cable with termination

Product overview

CANPowerSupply is a CAN connection cable with integrated termination, which was designed for mobile use.

The robust M12 male connector is available in tilted and straight versions.

The PUR CAN/DeviceNET™ - cable is made of an oil-resistant material and the wires are twisted.

Additionally to that the color coding is realized according to the standard coding in mobile constructions.

Protection Class	IP67
Connector	M12, A-coding Tilted / Straight
Cable	5 m or 10 m (different lengths on request) PUR-cable, black 2x0.25mm ² + 2x0.34mm ²
Operating Temp.	-30 to 90°C

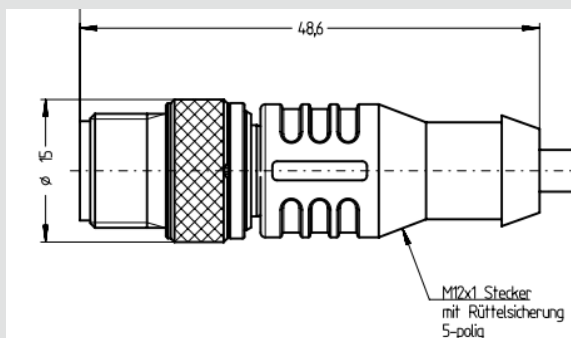


Illustration 3: Version with tilted male connector



Illustration 4: Version with straight male connector

Dimensional drawing, connection pin assignment



1)	BeilauF	Schirm
2)	Rot	Versorgung
3)	Schwarz	GND
4)	Weiß	CAN_H
Abschlusswiderstand 120 Ohm zwischen 4) und 5)		
5)	Blau	CAN_L

Ordering information

Name	Order-no.	Description
CANPowerSupply	B12090-CPS-YYY-XXXX	M12 Cable socket straight 5m 4pole CAN-Cord with 120 Ohm Resistor
B12090-CPS-YYY(Connector)-XXXX(Length) e.g. B12090-CPS-003-1000 (10m with straight female connector)		YYY = Male Connector (003 straight, 004 tilted) XXXX = Cable length in cm (0500,1000,1500 available as standard)